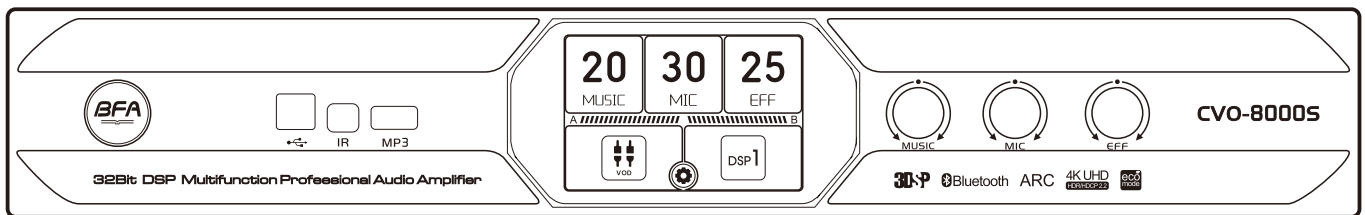




BFAudioPro
CVO-8000S

USER'S MANUAL



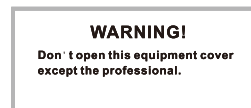
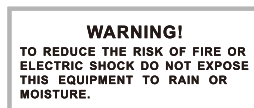
PROFESSIONAL DIGITAL KARAOKE AMPLIFIER

QUICK GUIDE

Preface

Thank you for purchasing our products. Before operating this machine, please read this instruction manual thoroughly so that you can understand how to use this equipment correctly. After you have read this manual, please keep it in a safe place for future reference.

Important Safety Instruction



During thunderstorms or if you do not plan to use the device for a long time, unplug the device from the power source to prevent any damage. Do not place the device where it is vulnerable to dripping or spraying. For example, do not place containers containing liquids on the device to prevent the device from getting wet. If the equipment experiences water infiltration, disconnect the power immediately and take the equipment to the dealer or the manufacturer for maintenance. In order to ensure the normal operation of the equipment, do not block the heat dissipation holes and fan holes of the machine. Do not install the device near heat sources such as radiators, electric heaters, stoves or other devices (including amplifiers) that generate heat. If the device fails, contact your dealer or manufacturer.

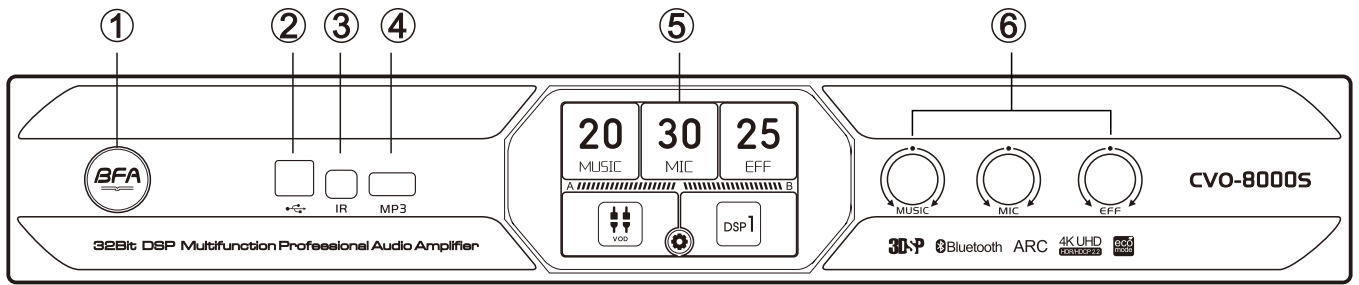
Simple Fault and Overhaul

Note:

In order to avoid unnecessary losses to you during transportation, when the machine fails, it is not necessarily a problem with the machine. Therefore, please check the following methods before you submit for repair. After the fault is determined, you can package the machine and return it to our company. We will provide you with enthusiastic repair services.

Phenomenon	Cause	Solution
No sound output and the display is off	The power socket has no power supply	Check the power supply system
	The socket is not well plugged	Please connect the power socket well and maintain good contact.
	The AC voltage fuse is burnt.	Unplug the power socket and exchange with the fuse of the same specification.
No sound output but the display is on	The output acoustics has no good signal connection	Reconnect and maintain good contact
	The main sound is set to the minimum	Reset as the setting means in the Instruction Manual
	The machine is set as mute.	Cancel mute
	The signal source has no signal output	Check the signal source
Have only one channel for sound output	The speaker output signal line on one side is not well connected	Reconnect and ensure good contact
	One input signal is wrongly connected or not connected	Reconnect and ensure good contact
	Damaged signal line	Replace and reconnect, ensure good contact

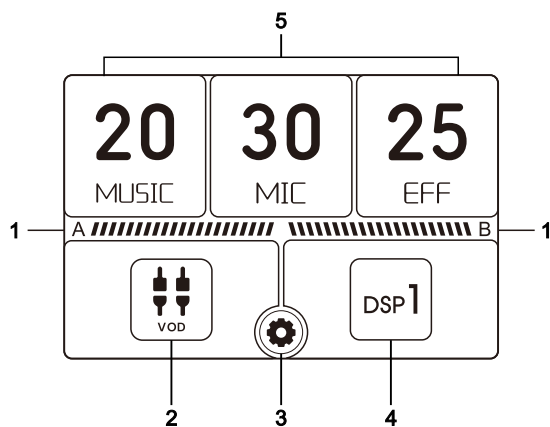
Front Panel Instruction



- 1 . Power switch
- 2 . USB interface connect to computer
- 3 . Infrared remoted port
- 4 . MP 3 play interface
- 5 . Touch screen display
- 6 . Music/Mic/Effect volume control

Function Description of the Touch Screen

Turn-on interface, connect to the power supply. After turning on the power switch, the equipment has the default display interface, which is shown in the below diagram;

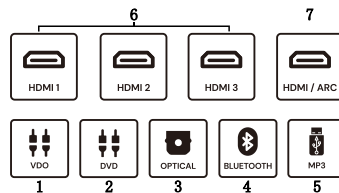


1. Wireless microphone signal indication:

When the wireless microphone is turned **on**, and frequency are matched ,the bar is highlighted.
 A [highlighted bar] B

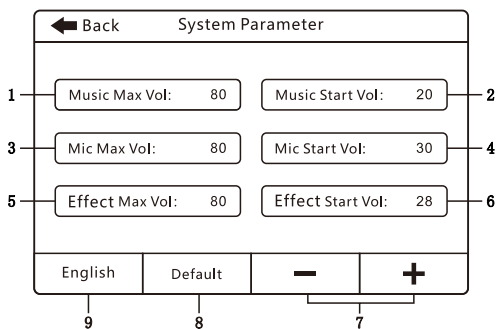
When the wireless microphone is turned **off**, or frequency not match ,the bar is in gray.
 A [gray bar] B

2. Display the present input signal source. Touching this area enters the input signal selection interface.



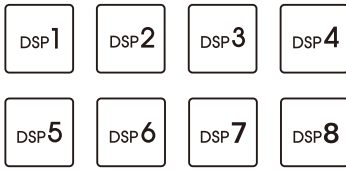
- 1) VOD: VOD signal input
- 2) DVD: CD\DVD\VCD signal input
- 3) Optical signal input
- 4) Bluetooth signal input
- 5) MP3 signal input
- 6) HDMI1/2/3 signal input
- 7) ARC: TV audio signal return input

3. Touch setting enters the parameter setting interface

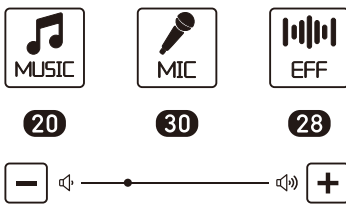


- 1) Music max volume: 0 - 80
- 2) Music start volume: 0-80
- 3) Mic max volume: 0 - 80
- 4) Mic start volume: 0-80
- 5) Effect max volume: 0 - 80
- 6) Effect start volume: 0-80
- 7) Volume setting: increase/decrease
- 8) Default setting: choose to recover the factory setting or not
- 9) English: choose English interface/Chinese interface switchover

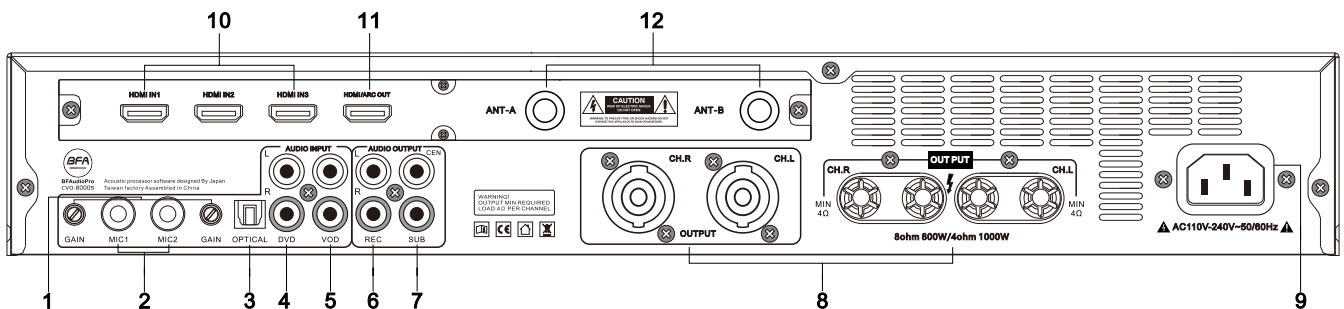
4. Mode selection it will pop up when you touch this area : **DSP1–DSP8** , the selected mode will be highlighted.
After 5 seconds without any operation, it will return to the startup interface automatically.



5. Music, microphone and effect volume display and volume adjustment selection. Touch and hold this area 3 seconds will be mute (red figures). Touch and hold 3 seconds to stop mute mode. Touch the corresponding area, select “+/-” to adjust the volume after showing the blue frame.

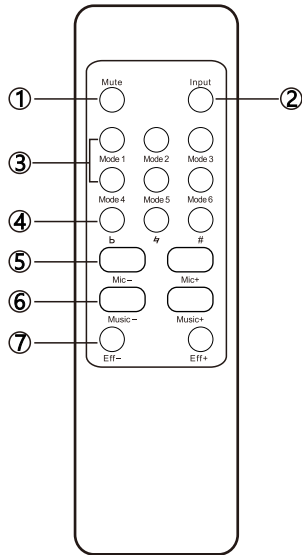


Back Panel Introduction



1. MIC 1 / MIC 2 gain control
2. MIC 1 / MIC 2 input interface
3. OPTICAL :optical interface
4. DVD audio input interface
5. VOD audio input interface
6. REC audio output interface: recording L/ R output interface
7. CENTRE/SUB sound output interface
8. XLR audio output interface .The connection means of the professional wiring column is red+ black-.
9. Power source input interface
10. 4KHD IN(1 - 3) interface: For connecting an 4KHD-compatible playback device and inputting video / audio signals
11. 4KHD OUT/ ARC OUT interface: For connecting an 4KHD-compatible TV and outputting video / TV audio signal return
12. Wireless microphone receiving antenna

Function of remote controller:



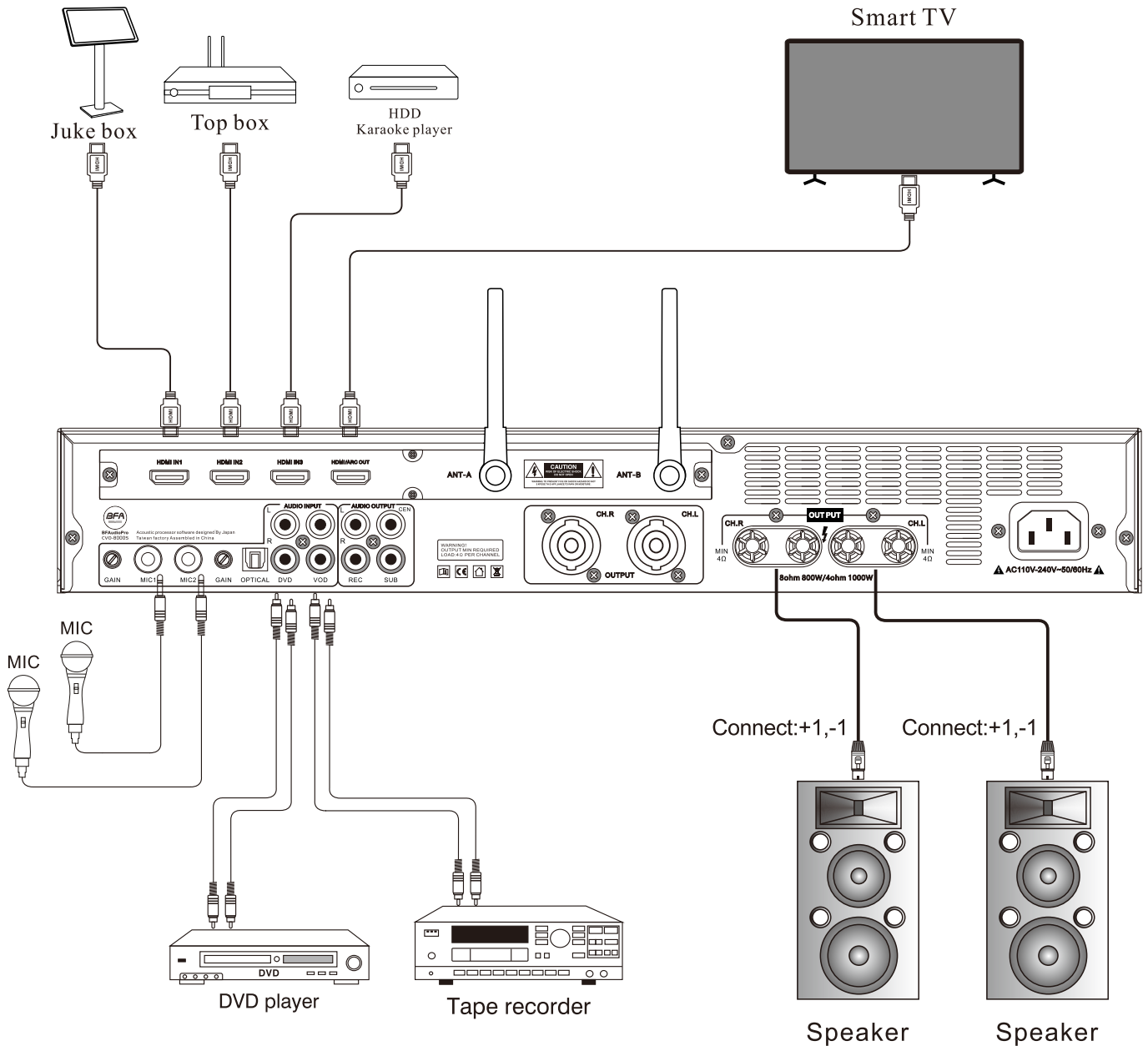
- 1、 Mute button
- 2、 Input signal select button
- 3、 Mode selection buttons
- 4、 Music tone: falling/resetting/raising
- 5、 Microphone volume increase or decrease
- 6、 Music volume increase or decrease
- 7、 Effect volume increase or decrease

Technical parameters:

Output interface	Binding
Frequency response	20Hz-20kHz, ± 1.5 dB
Balance input impedance	10k Ω /un-Balanced
SNR	≥ 95 dB
T.H.D	≤ 0.2
Rated output power 8 ohm 1KHz degree of separation	> 70 dB
Damping factor f=1KHz 8 OHMS	> 240
Conversion speed	15V/uS
Protection	Soft Start,Short Circuit,Limiter,DC Fault,AC Line Fuse,Thermal Cut

External Equipment Connecting Diagram

When connecting the speaker connector, please confirm the +,-polarity and the left (L) and right (R) channels, and do not connect the reverse cable. The speaker connector should be careful not to come off and come into contact with other terminals or the rear panel. In addition, please be careful not to contact the polarity of the speaker connector or the cable of the channel.

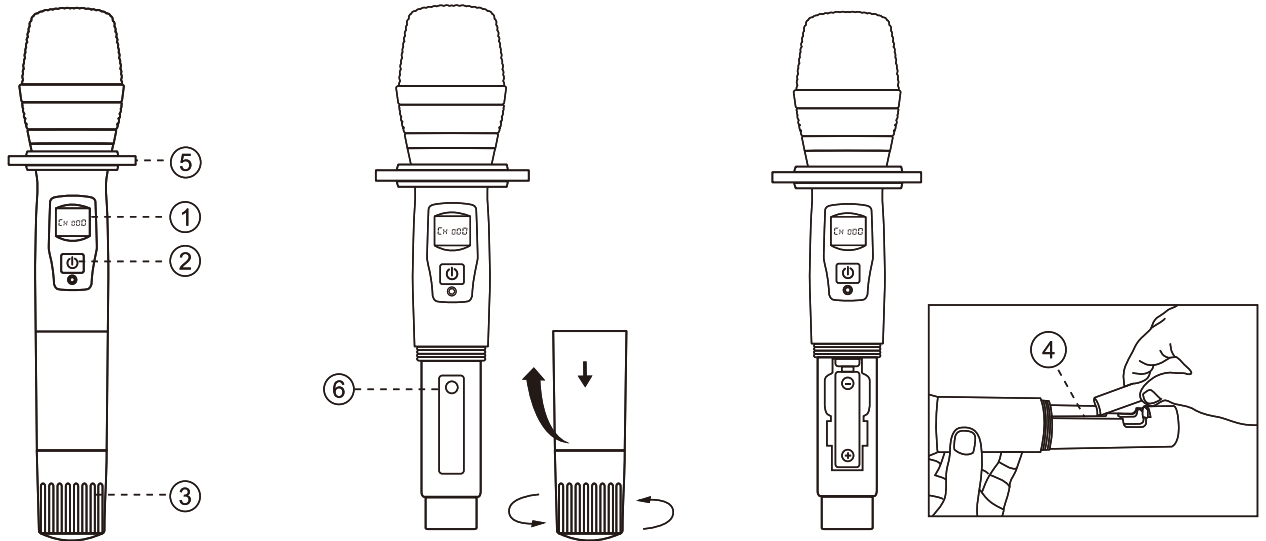


About speaker impedance

If the high-power output for a long time is lower than the speaker (such as 4Ω) of the rated impedance ($6 \sim 8\Omega$), the built-in protection circuit will automatically start. After the protection circuit is activated, please unplug the power cord, maintain good ventilation, and reconnect the power after reducing the temperature.

In connecting the signal cable

When connecting the signal cable, after unplugging the power cord of the device, please note that the left channel (L: white) and rear channel (R: red) of the connection terminal may have some differences with the equipment. Please refer to the instruction manual of the product before connecting to make sure to connect correctly. If the left and right signal cables are reversed, the stereo effect will be reduced.

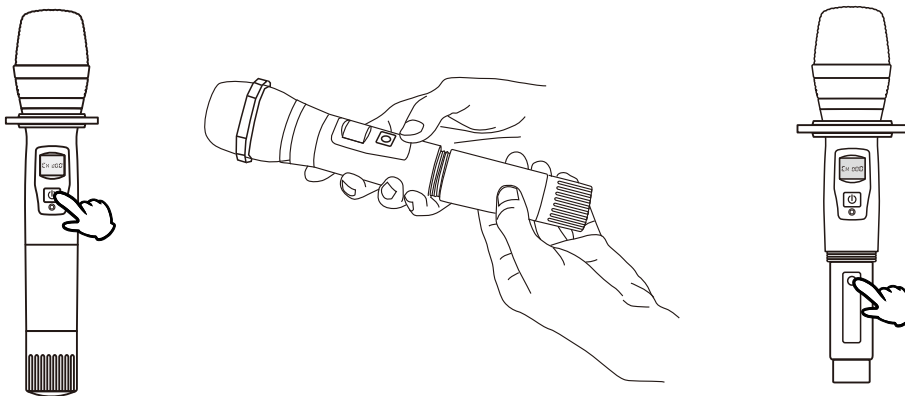


1. Structure of the Microphone

- ① LCD ② Power ③ Tail ④ Battery cabin ⑤ Stop ring ⑥ Digital frequency alignment button

2. Infrared to frequency

Press the power switch about 3 seconds , power turn on , open the mic tube and press the digital frequency alignment button , will see screen flashing . After choose a frequency , press the power switch again to confirm the frequency , will see screen stop flashing , then put the microphone horizontal close to the device's IR port about 3 seconds , frequency sync successfully .(if fail , please just repeat above action) .Total 200 channels(A channle : 001CH~100CH ; Bchannel : 101CH~200CH)



3. Turn on and turn off

Press the power switch about 3 seconds , the microphone LCD screen will light up and display working channel , working frequency and battery status .Please pay attention to the battery status , if electric quantity too low , LCD screen will display "LOW BAT" , to remind user to change a new pair of battery to make sure microphone works normally . Basically a new pair of battery woking life on this microphone is 6-8 hours .Press again the power switch about 3 seconds , the LCD screen will display "OFF" , and then microphone will be turned off .Please remove the batteries when microphone don't need work for a long time to prevent battery leakage from corroding the circuit board and damage the microphone .

BFAudioPro[®]

www.bfaudio.com
www.bfaudiopro.com



PROFESSIONAL DIGITAL KARAOKE AMPLIFIER

QUICK GUIDE