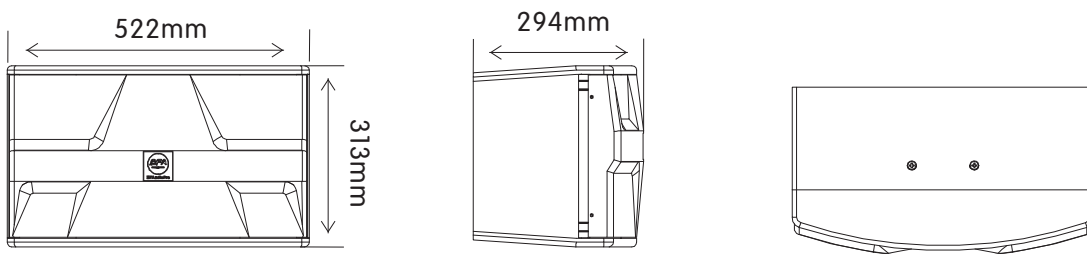
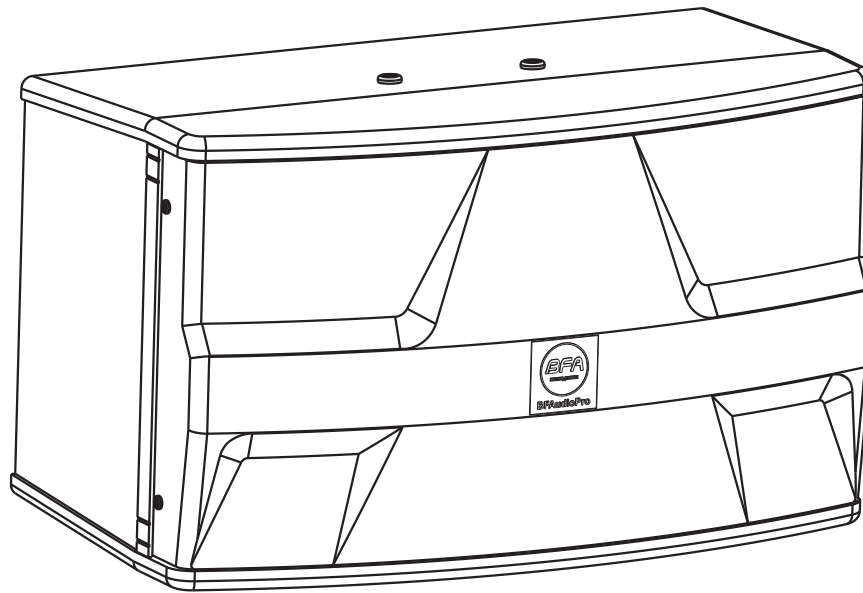
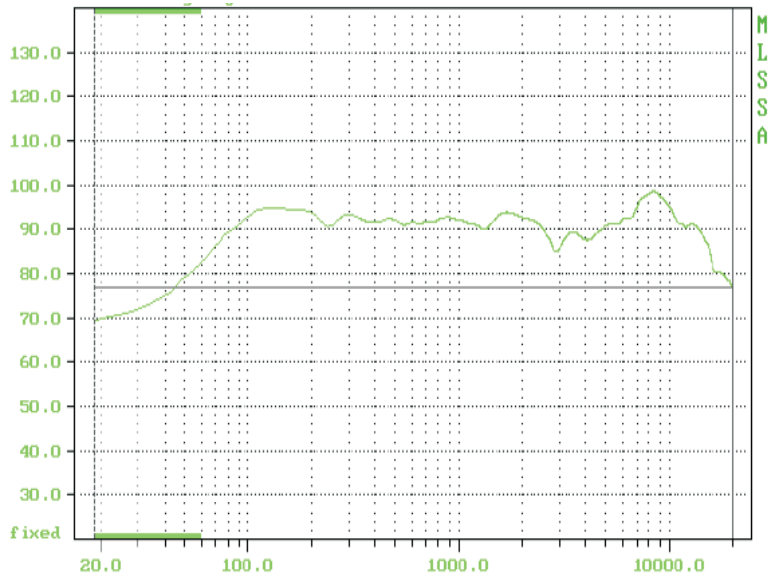


Model: D-25A

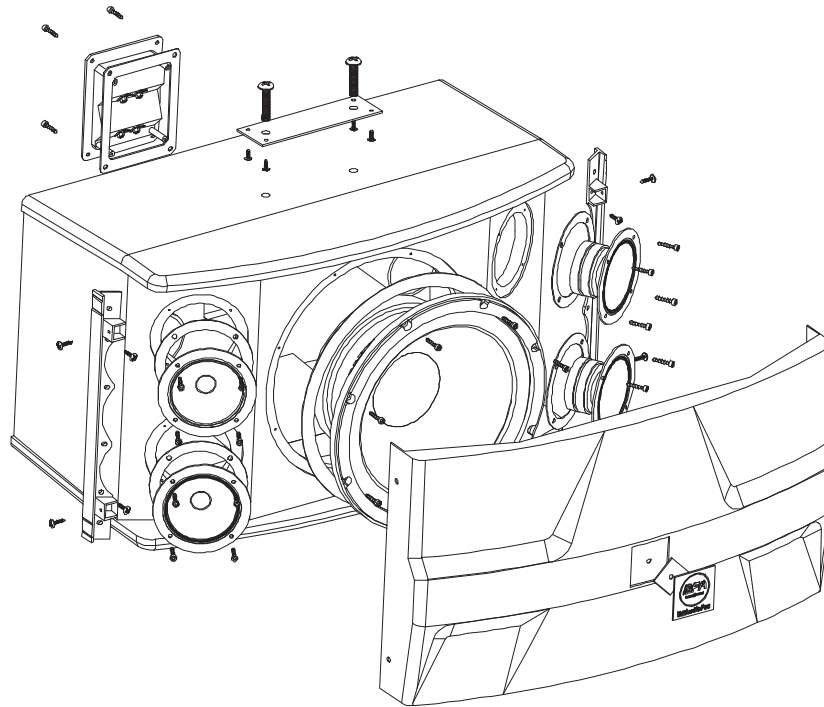


Specification	
Model	D-25A
Woofer	10"
Crossover Frequency	3KHz, 9KHz
Frequency Responses	40Hz~18KHz
Nominal impedance	8 Ω
RMS POWER	250W
MAX POWER	500W
Sensitivity	93dB
N.W	13kg
Size(HXWXD)	(313 * 522 * 282) mm

Frequency Responses

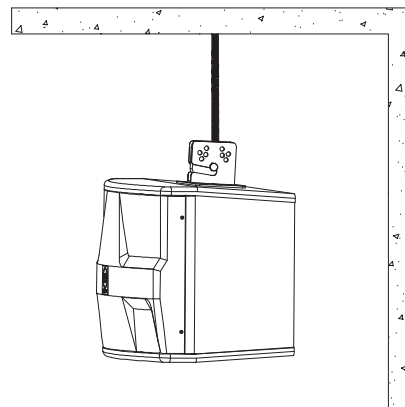
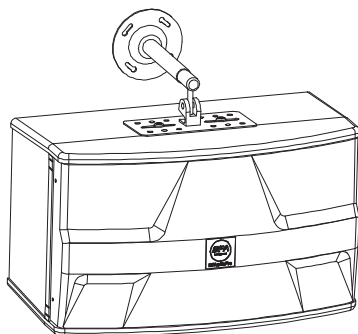


Exploded Diagram



Installation

Wall Installation



Ceiling Installation